

# ORGAN BLOWER CATALOGUE

**Manufacturer: KÖNYVES és FIA KFT**

HUNGARY 9061 Vámoszabadi, Hild J. u. 5.

Tel.: 00 36/96 560 058 • Fax: 00 36/96 319 484 • Mobil: 00 36/30 747 3683

E-mail: konyves@organafuvo.hu • Web: www.organafuvo.hu



## History

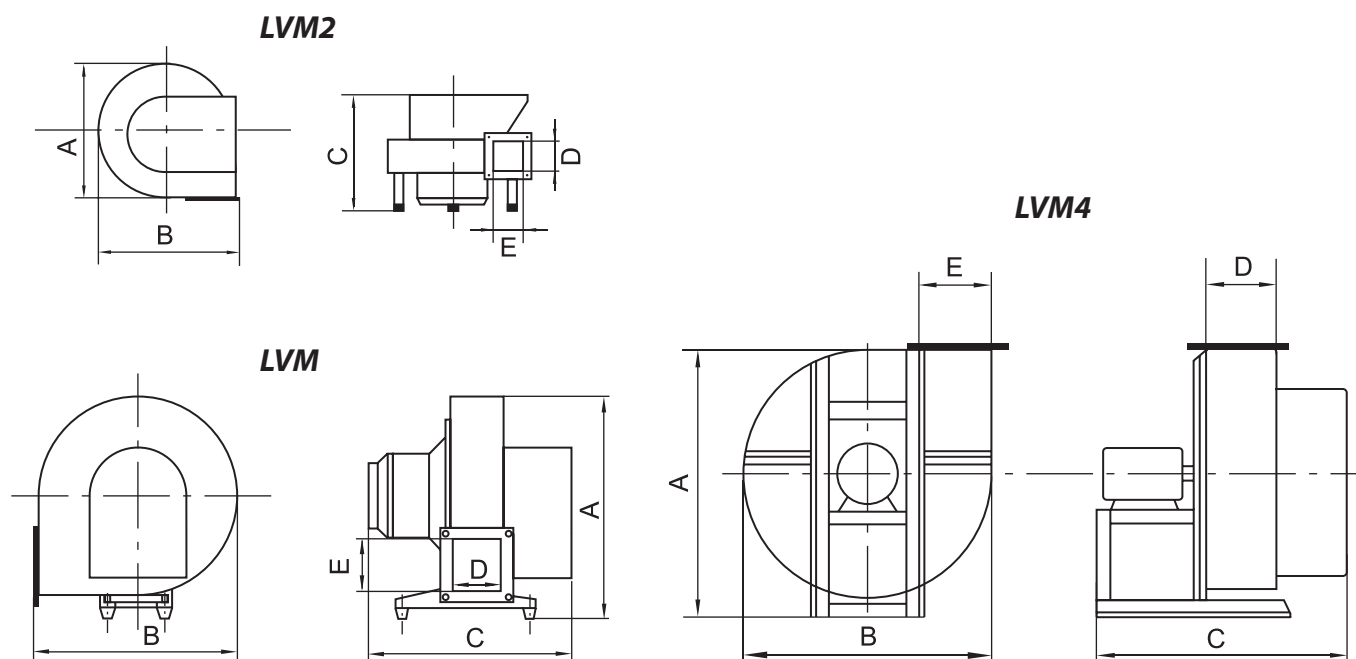
• Our Company manufactures organ blowers developed and designed by ourselves since 1994. The organ blowers are high-class Hungarian product. The organ blowers are developed and designed specifically for producing air of pressure of 750 to 3 500 PA specifically required for operation of organs, but we are able to fulfill other requirements on request, as well. We manufacture motors of various dimensions with rotation speeds of 1 680 and 3 360 rpm. their detailed technical descriptions are presented in the catalogue. Our variety of products enables to build a proper blower into any organ. As regards the noise level, quality and design, our motors compete with those of even the most renowned European manufacturers.

• The housing of organ blowers of types LVM and LVM2 is made of cast aluminium. The housing of organ blowers of type LVM4 is made of sheet-steel with welding. The inside of housing is covered with noise isolating and vibration damping lining. The inlet chamber is made of sheet-steel with welding. It is provided with a noise isolating and vibration damping lining and a closing trap and guard on the lower side. The electric motors are results of our own development and design. They are single-phase or rotary-current asynchronous motors of very little noise provided with sleeve-bearings. The foot is made of cast aluminum and provided with 4 rubber legs. The outside surface of blowers is painted with Hammerite paint of silver color.

- We provide guarantee of 3 years for organ blowers of types LVM, LVM2 and LVM4.
- Our organ blowers are sold all over the world.

# ORGAN BLOWERS OF TYPE LVM

## DIMENSIONS



## SPECIFICATIONS

### LVM2 3360 RPM

TYPE	HP	VAC	A	B	C	D x E	Net Wt. lbs.
LVM2/3-003-075	0,09	120	10-7/16"	11-1/32"	8-7/8"	1-29/64" x 1-37/64"	23,14
LVM2/3-005-080	0,11	120	12-5/8"	13-3/16"	9-7/16"	2-3/64" x 2-3/4"	27,55

### LVM 3360 RPM

TYPE	HP	VAC	A	B	C	D x E	Net Wt. lbs.
LVM-005-120	0,2	120 or 240	15-3/8"	13-1/32"	15-5/8"	2-5/64" x 3-5/32"	44,09
LVM-005-155	0,25	120 or 240	16-5/16"	14-21/64"	16-5/8"	3-1/16" x 3-35/64"	50,71
LVM-008-180	0,45	120 or 240	16-13/16"	14-59/64"	18-25/32"	3-47/64" x 3-57/64"	61,72
LVM-003-350	0,6	120 or 240	21-17/32"	19-17/32"	17-1/4"	2-3/4" x 2-3/64"	78,26
LVM-012-190	0,65	120 or 240	18-1/8"	16-3/8"	19-49/64"	4-1/8" x 4-17/32"	70,54
LVM-014-210	0,8	240	19-61/64"	17-61/64"	20-5/32"	4-31/64" x 4-59/64"	79,36
LVM-020-190	1	240	21-17/32"	19-17/32"	21-15/16"	5-15/64" x 5-17/64"	94,79

### LVM4 1680 RPM

TYPE	HP	VAC	A	B	C	D x E	Net Wt. lbs.
LVM4-021-230	2	240 3Ø	35"	32"	30-7/8"	6-5/16" x 7-7/8"	251
LVM4-024-275	3	240 3Ø	37"	35-1/4"	30-7/8"	6-5/16" x 7-7/8"	271

**Manufacturer: KÖNYVES és FIA KFT**

HUNGARY 9061 Vámoszabadi, Hild J. u. 5. • Tel.: 00 36/96 560 058 • Fax: 00 36/96 319 484 • Mobil: 00 36/30 747 3683

E-mail: konyves@orgonafuvo.hu • Web: www.orgonafuvo.hu

# ORGAN BLOWERS OF TYPE LVM

## PERFORMANCE CHART

TYPE	TYPE	HP	Static Wind Pressure	CFM at Wind Pressure										
				2"	3"	4"	5"	6"	7"	8"	9"	10"	11"	12"
<b>LVM2 3360 RPM</b>														
	LVM2/3-003-075/120	0,09	2-61/64"	121	106									
	LVM2/3-005-080/120	0,11	3-1/8"	200	177									
<b>LVM 3360 RPM</b>														
LVM-005-120/120	LVM-005-120/240	0,2	4-3/4"	320	328	176								
LVM-005-155/120	LVM-005-155/240	0,25	6-7/64"	486	442	325	265	176						
LVM-008-180/120	LVM-008-180/240	0,45	7-5/64"	925	795	618	565	459	283					
LVM-003-350/120	LVM-003-350/240	0,6	13-25/32"	489	345	228	186	152	128	116	192	182	176	106
LVM-012-190/120	LVM-012-190/240	0,65	7-4/8"	1070	980	890	812	671	535	432				
	LVM-014-210/240	0,8	8-2/8"	1230	1075	958	826	706	636	530	465			
	LVM-020-190/240	1	7-4/8"	1450	1320	1025	980	870	792	726				
<b>LVM4 1680 RPM</b>														
	3Ø LVM4-021-230	2	9"		1530	1920	1498	1195	994	855	750			
	3Ø LVM4-024-275	3	10-3/4"				1850	1535	1315	1153	1027	927	840	

**Manufacturer: KÖNYVES és FIA KFT**

HUNGARY 9061 Vámoszabadi, Hild J. u. 5. • Tel.: 00 36/96 560 058 • Fax: 00 36/96 319 484 • Mobil: 00 36/30 747 3683

E-mail: konyves@orgonafuvo.hu • Web: www.orgonafuvo.hu