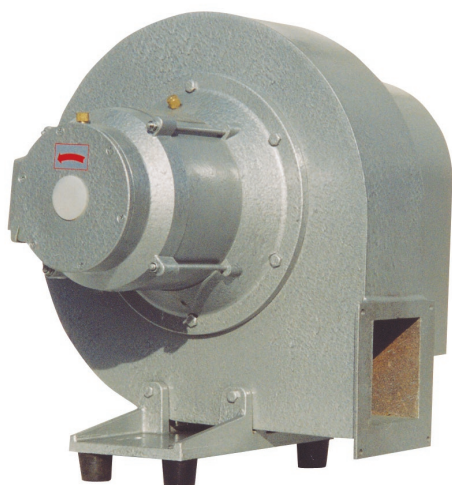


CATALOGUE OF ORGAN BLOWERS OF TYPE LVM USA



Manufacturer:

KÖNYVES és FIA KFT
HUNGARY, H-9061 Vámoszabadi, Hild József u. 5.
Tel.: 00 36/96 560 058 ♦ Tel./Fax: 00 36/96 319 484

Information:

GSM: 00 36/30 7473 683
E-mail: konyves@orgonafuvo.hu
Web: www.orgonafuvo.hu

Contents

<i>History</i>	3
<i>Organ blowers of type LVM4</i>	4
Technical data	5
Dimensions for mounting	6
<i>Organ blowers of type LVM</i>	7
Technical data	8
Dimensions for mounting	9
Wiring diagram	10
<i>Organ blowers of type LVM2</i>	11
Technical data	12
Dimensions for mounting	13
Wiring diagram	14

History

- Our Company manufactures organ blowers developed and designed by ourselves since 1994. The organ blowers are high-class Hungarian product. The organ blowers are developed and designed specifically for producing air of pressure of 750 to 3 500 PA specifically required for operation of organs, but we are able to fulfill other requirements on request, as well. We manufacture motors of various dimensions with rotation speeds of 1 680 and 3 360 rpm. their detailed technical descriptions are presented in the catalogue. Our variety of products enables to build a proper blower into any organ. As regards the noise level, quality and design, our motors compete with those of even the most renowned European manufacturers.
- The housing of organ blowers of types LVM and LVM2 is made of cast aluminium. The housing of organ blowers of type LVM4 is made of sheet-steel with welding. The inside of housing is covered with noise isolating and vibration damping lining. The inlet chamber is made of sheet-steel with welding. It is provided with a noise isolating and vibration damping lining and a closing trap and guard on the lower side. The electric motors are results of our own development and design. They are single-phase or rotary-current asynchronous motors of very little noise provided with sleeve-bearings. The foot is made of cast aluminum and provided with 4 rubber legs. The outside surface of blowers is painted with Hammerite paint of silver color.
- We provide guarantee of 3 years for organ blowers of types LVM, LVM2 and LVM4.
 - Our organ blowers are sold all over the world.

ORGAN BLOWERS OF TYPE LVM4



Manufacturer:

KÖNYVES és FIA KFT
HUNGARY, H-9061 Vámoszabadi, Hild József u. 5.
Tel.: 00 36/96 560 058 ♦ Tel./Fax: 00 36/96 319 484

Information:

GSM: 00 36/30 7473 683
E-mail: konyves@orgonafuvo.hu
Web: www.orgonafuvo.hu

ORGAN BLOWERS OF TYPE LVM4 TECHNICAL DATA

1680 rotations/minute / 60 cycles

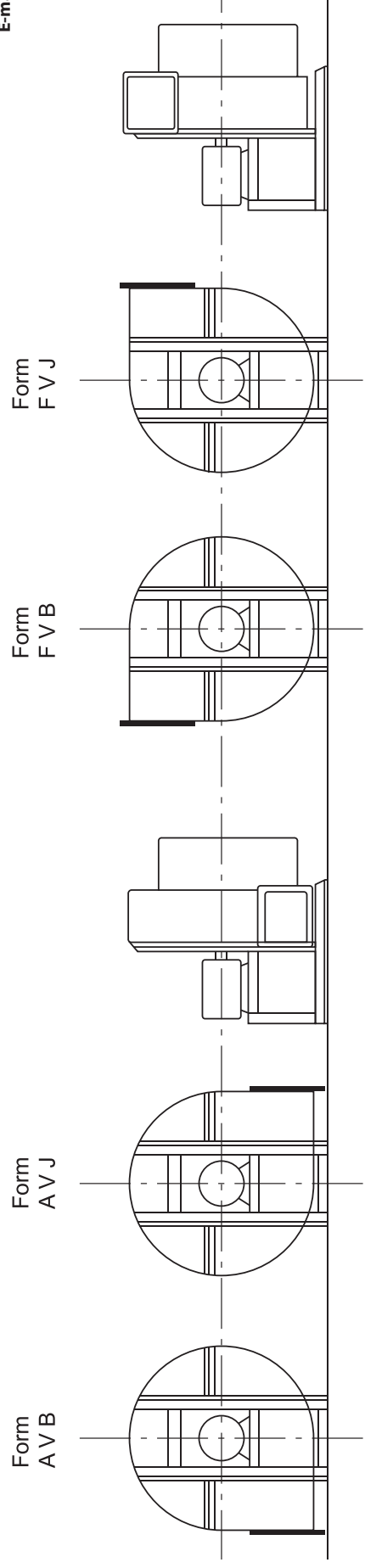
Wind pressure: 1 200 Pa

TYPE		For organ stops up to app.	Wind production CFM	Wind pressure		Motorpower		Net weight app. pound
3-ph. A.C., 208 V	1-ph. A.C., 240 V			Pa	inch	h.p.	kW	
LVM4-008-120/208	LVM4-008-120/240	17-20	282	1 200	4-3/4"	0,53	0,4	200,62
LVM4-014-120/208	LVM4-014-120/240	28-32	494	1 200	4-3/4"	0,76	0,57	216,05
LVM-4-021-120/208	LVM-4-021-120/240	40-45	742	1 200	4-3/4"	1	0,75	251,33
LVM4-028-120/208	-	50-55	989	1 200	4-3/4"	1,6	1,2	271,17
LVM4-035-120/208	-	60-65	1 236	1 200	4-3/4"	2,01	1,5	282,19
LVM4-043-120/208	-	68-72	1 518	1 200	4-3/4"	2,54	1,9	365,97
LVM4-052-120/208	-	78-85	1 836	1 200	4-3/4"	3	2,25	370,38
LVM4-062-120/208	-	89-100	2 189	1 200	4-3/4"	3,62	2,7	372,58

Other wind productions and wind pressures on request.
We can supply other shape too: vertically down or up.
Further information upon request.

Manufacturer:
KÖNYVES és FIA KFT
H-9061 Vámoszabadi, Hild J. u. 5.
Tel.: +36/96 560 058
Fax: +36/96 319 484

Info:
GSM: +36/30 7473 683
E-mail: konyves@orgonafuvo.hu
Web: www.orgonafuvo.hu



ORGAN BLOWERS OF TYPE LVM4 DIMENSIONS

1680 rotations/minute / 60 cycles

Wind pressure: 1 200 Pa

Unit: Inch (in)

TYPE		A	B	C	D	E	F	G	H	I	K	L	M	N	O	P	R	S
3-ph. A.C., 208 V	1-ph. A.C., 240 V																	
LVM4-008-120/208	LVM4-008-120/240	31-3/4"	17-3/4"	29-9/32"	7-7/8"	13-5/8"	19-1/2"	25-5/8"	4-23/32"	7-9/32"	25"	6-45/64"	6-5/16"	4-11/32"	3-5/16"	23-5/8"	32-43/64"	16-11/32"
LVM4-014-120/208	LVM4-014-120/240	31-3/4"	17-3/4"	29-9/32"	7-7/8"	13-5/8"	20-11/16"	27-3/8"	5-29/32"	7-7/8"	25"	7-7/8"	7-7/8"	5-1/2"	5-7/64"	23-5/8"	32-43/64"	16-11/32"
LVM4-021-120/208	LVM4-021-120/240	34-7/16"	19-7/8"	32-3/64"	7-7/8"	14-31/32"	23-1/4"	30-7/8"	7-3/32"	8-7/8"	27-61/64"	10-1/4"	8-21/32"	7-7/8"	6-5/16"	25"	35-1/4"	16-5/16"
LVM4-028-120/208	-	34-7/16"	19-7/8"	32-3/64"	7-7/8"	14-31/32"	23-1/4"	30-7/8"	7-3/32"	8-7/8"	27-61/64"	10-1/4"	8-21/32"	7-7/8"	6-5/16"	25"	35-1/4"	16-5/16"
LVM4-035-120/208	-	34-7/16"	19-7/8"	32-3/64"	7-7/8"	15-3/4"	24-1/32"	31-3/4"	7-3/32"	8-7/8"	27-61/64"	10-1/4"	8-21/32"	7-7/8"	6-5/16"	25"	35-1/4"	16-5/16"
LVM4-043-120/208	-	43-7/8"	25-3/16"	41-1/2"	7-7/8"	15-3/4"	26-3/8"	35-7/16"	9-7/16"	10-1/4"	34-27/32"	14-31/32"	11-1/32"	12-43/64"	8-21/32"	30-29/32"	44-7/8"	21-1/4"
LVM4-052-120/208	-	43-7/8"	25-3/16"	41-1/2"	7-7/8"	15-3/4"	26-3/8"	35-7/16"	9-7/16"	10-1/4"	34-27/32"	14-31/32"	11-1/32"	12-43/64"	8-21/32"	30-29/32"	44-7/8"	21-1/4"
LVM4-062-120/208	-	43-7/8"	25-3/16"	41-1/2"	7-7/8"	15-3/4"	26-3/8"	35-7/16"	9-7/16"	10-1/4"	34-27/32"	14-31/32"	11-1/32"	12-43/64"	8-21/32"	30-29/32"	44-7/8"	21-1/4"

Manufacturer:

KÖNYVES és FIA KFT

H-9061 Vámoszabadi, Hild J. u. 5.

Tel.: +36/96 560 058

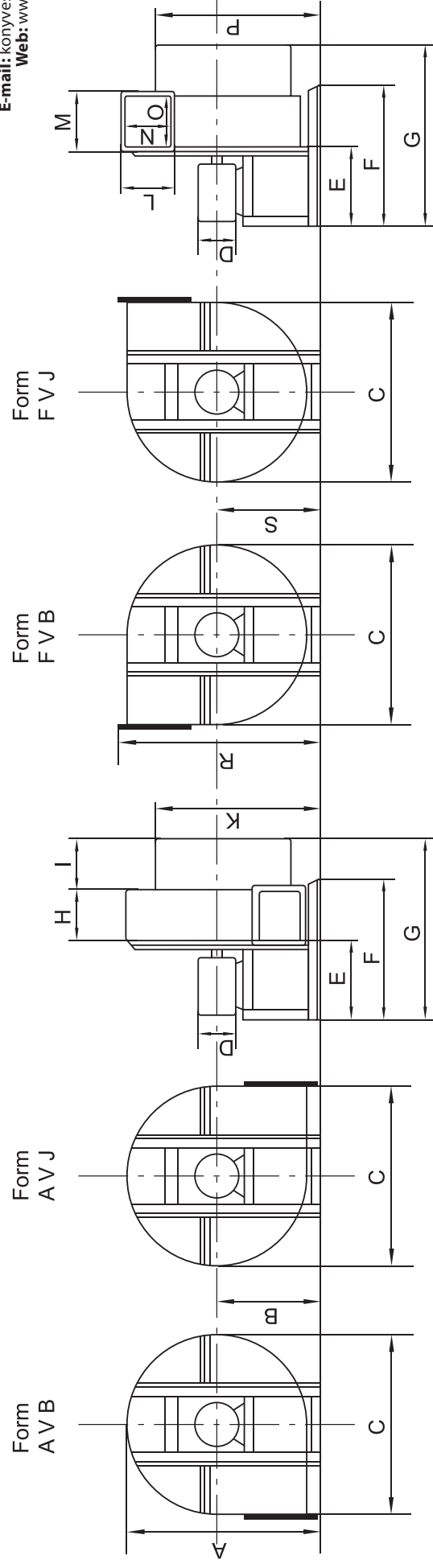
Fax: +36/96 319 484

Info:

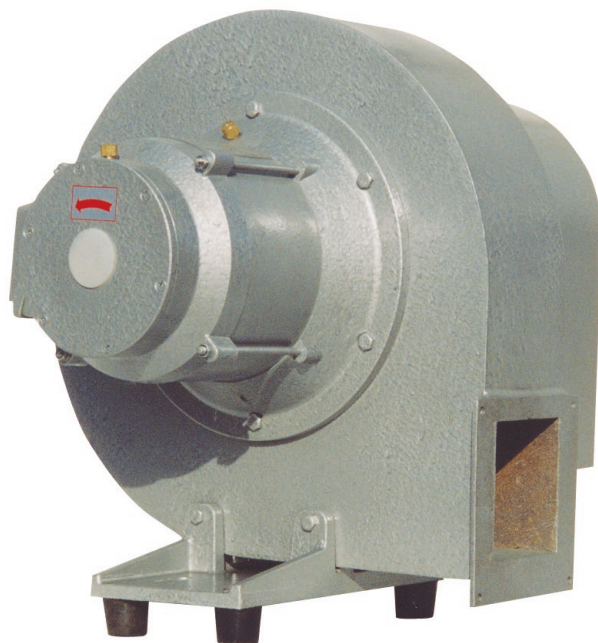
GSM: +36/30 7473 683

E-mail: konyves@orgonafuvo.hu

Web: www.orgonafuvo.hu



ORGAN BLOWERS OF TYPE LVM



Manufacturer:

KÖNYVES és FIA KFT
HUNGARY, H-9061 Vámoszabadi, Hild József u. 5.
Tel.: 00 36/96 560 058 ♦ Tel./Fax: 00 36/96 319 484

Information:

GSM: 00 36/30 7473 683
E-mail: konyves@orgonafuvo.hu
Web: www.orgonafuvo.hu

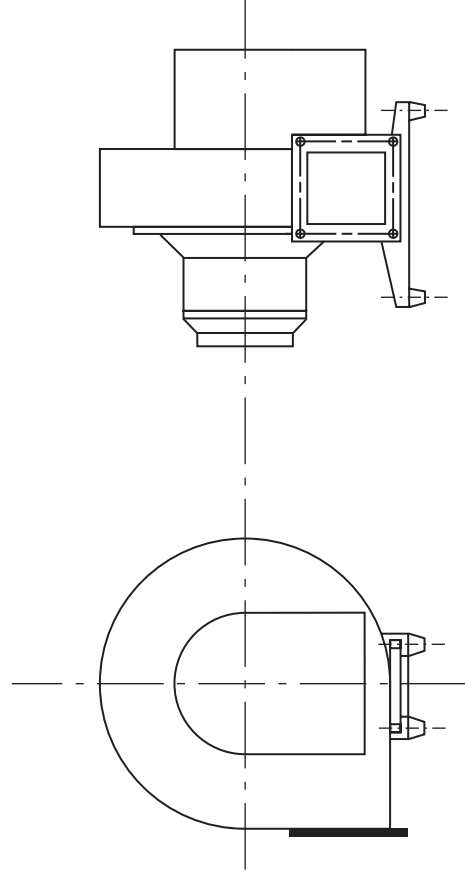
ORGAN BLOWERS OF TYPE LVM TECHNICAL DATA

3360 rotations/minute / 60 cycles
Pressure range: 1 550-3 500 Pa

TYPE		For organ stops up to app.	Wind production CFM	Pressure range		Motorpower		Net weight app. pound
1-ph. A.C., 120 V	1-ph. A.C., 240 V			Pa	inch	h.p.	kW	
LVM-003-170/120	LVM-003-170/240	7	106	1 700	6-11/16"	0,2	0,145	44,09
LVM-005-120/120	LVM-005-120/240	11	177	1 200	4-3/4"	0,2	0,145	44,09
LVM-005-155/120	LVM-005-155/240	11	177	1 550	6-1/8"	0,25	0,185	50,71
LVM-008-180/120	LVM-008-180/240	16-20	282	1 800	7-3/32"	0,45	0,330	61,72
LVM-012-190/120	LVM-012-190/240	20-25	423	1 900	7-4/8"	0,65	0,496	70,54
LVM-014-210/120	LVM-014-210/240	25-32	494	2 100	8-2/8"	0,8	0,595	79,36
LVM-020-190/120	LVM-020-190/240	32-45	706	1 900	7-4/8"	1	0,755	94,79
-	LVM-003-350/240		106	3 500	13-25/32"	0,6	0,435	78,26

Manufacturer:
KÖNYVES és FIA KFT
H-9061 Vámoszabadi, Hild J. u. 5.
Tel.: +36/96 560 058
Fax: +36/96 319 484

Info:
GSM: +36/307473683
E-mail: konyves@orgonafuvo.hu
Web: www.orgonafuvo.hu



ORGAN BLOWERS OF TYPE LVM DIMENSIONS



3360 rotations/minute / 60 cycles

Wind pressure: 1 550-3 500 Pa

Unit: Inch (in)

TYPE		A	B	C	D	E	F	H	I	K	M	N	R	S	T	U	V
1-ph. A.C., 120V	1-ph. A.C., 240V																
LVM-003-170/120	LVM-003-170/240	13-1/32"	7-5/64"	13-1/32"	5-29/32"	9-27/32"	15-3/8"	9-3/64"	2-5/64"	3-5/32"	3-15/16"	4-23/32"	6-13/32"	2-3/4"	6-29/64"	4-1/64"	3-25/64"
LVM-005-120/120	LVM-005-120/240	13-1/32"	7-5/64"	13-1/32"	5-29/32"	9-27/32"	15-3/8"	9-3/64"	2-5/64"	3-5/32"	3-15/16"	4-23/32"	6-13/32"	2-3/4"	6-29/64"	4-1/64"	3-25/64"
LVM-005-155/120	LVM-005-155/240	14-21/64"	7-5/64"	14-1/32"	5-29/32"	9-27/32"	16-5/16"	9-7/16"	3-1/16"	3-35/64"	4-59/64"	5-7/64"	6-13/32"	3-47/64"	6-29/64"	4-17/32"	4-21/64"
LVM-008-180/120	LVM-008-180/240	14-59/64"	9-27/32"	14-59/64"	5-29/32"	12-11/16"	16-13/16"	9-27/32"	3-47/64"	3-57/64"	5-47/64"	5-29/32"	7"	4-17/32"	7-1/4"	5-7/64"	5-7/64"
LVM-012-190/120	LVM-012-190/240	16-3/8"	9-27/32"	16-1/64"	5-29/32"	12-11/16"	18-1/8"	9-27/32"	4-1/8"	4-17/32"	6-3/32"	6-3/32"	7"	4-59/64"	7-1/4"	5-35/64"	5-35/64"
LVM-014-210/120	LVM-014-210/240	17-61/64"	9-27/32"	17-61/64"	5-29/32"	12-11/16"	19-61/64"	11-17/32"	4-31/64"	4-59/64"	6-31/64"	6-1/2"	7-19/32"	5-5/16"	7-1/4"	5-29/32"	5-29/32"
LVM-020-190/120	LVM-020-190/240	19-17/32"	9-27/32"	19-17/32"	5-29/32"	12-11/16"	21-17/32"	12-1/8"	5-15/64"	5-17/64"	7-9/32"	6-57/64"	8-37/64"	6-3/32"	7-1/4"	6-19/64"	6-11/16"
-	LVM-003-350/240	19-17/32"	7-5/64"	19-17/32"	5-29/32"	9-27/32"	21-17/32"	12-1/8"	2-3/4"	2-3/64"	4-21/64"	4-21/64"	8-37/64"	3-5/32"	6-29/64"	3-7/16"	3-35/64"

Manufacturer:

KÖNYVES és FIA KFT

H-9061 Vámoszabadi, Hild. J. u. 5.

Tel.: +36/96 560 058

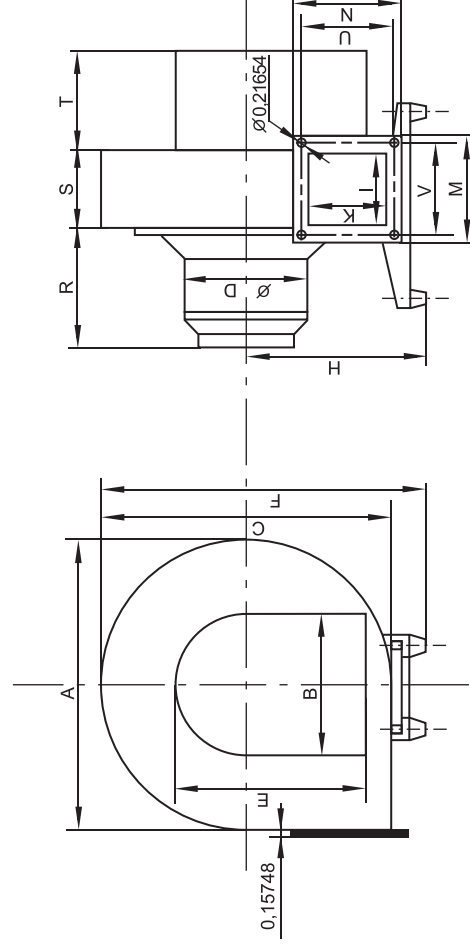
Fax: +36/96 319 484

Info:

GSM: +36/30 7473 683

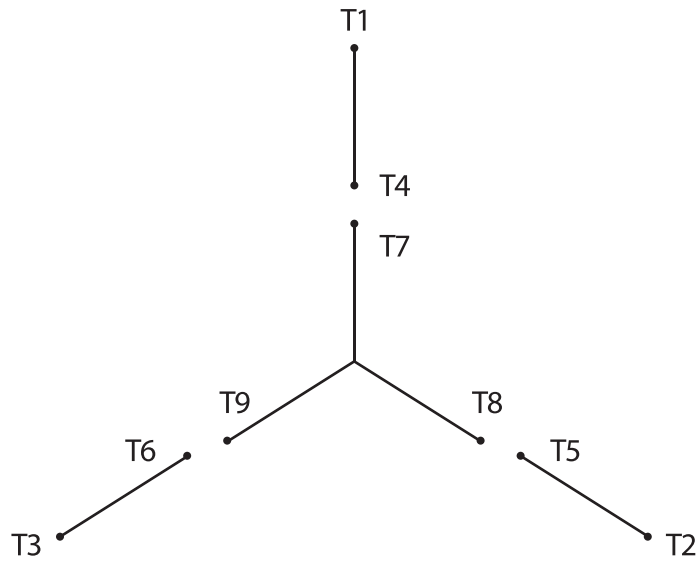
E-mail: konyves@orgonafuvo.hu

Web: www.orgonafuvo.hu



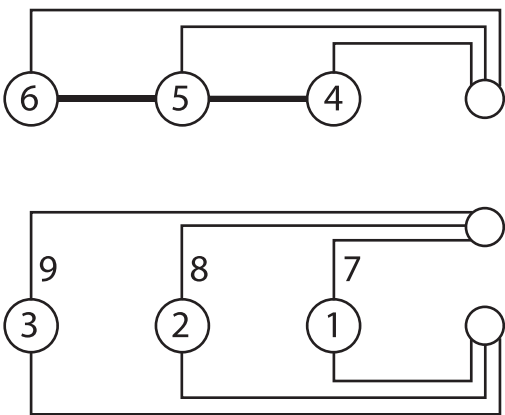
WIRING DIAGRAM OF ORGAN BLOWERS OF TYPE LVM

9 Lead, Dual Voltage

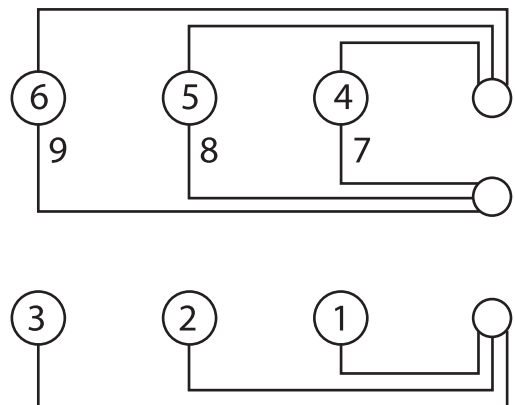


Y-Connection

120V



240V



Manufacturer: KÖNYVES és FIA KFT

HUNGARY, H-9061 Vámoszabadi, Hild J. u. 5. • Tel.: 00 36/96 560 058 • Fax: 00 36/96 319 484 • Mobil: 00 36/30 747 3683
e-mail: konyves@orgonafuvo.hu • web: www.orgonafuvo.hu

ORGAN BLOWERS OF TYPE LVM2



Manufacturer:

KÖNYVES és FIA KFT
HUNGARY, H-9061 Vámoszabadi, Hild József u. 5.
Tel.: 00 36/96 560 058 ♦ Tel./Fax: 00 36/96 319 484

Information:

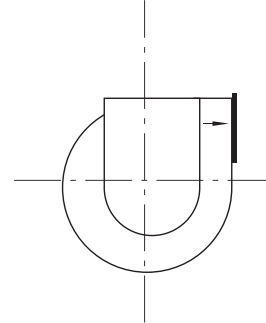
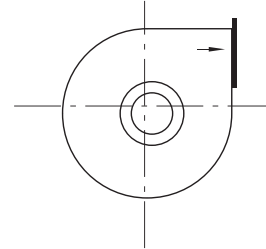
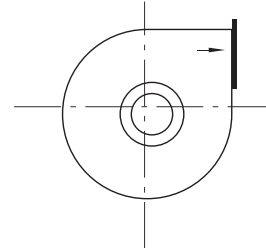
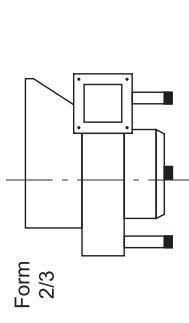
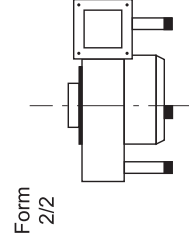
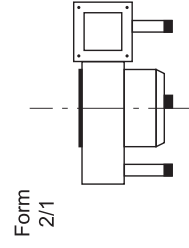
GSM: 00 36/30 7473 683
E-mail: konyves@orgonafuvo.hu
Web: www.orgonafuvo.hu

ORGAN BLOWERS OF TYPE LVM2 TECHNICAL DATA

3360 rotations/minute / 60 cycles

Wind pressure: 750-800 Pa

TYPE	For organ stops without 16 app.	For reed organ sets app.	Wind production CFM	Wind pressure		Motorpower		Net weight app. pound
				Pa	inch	h.p.	kW	
LVM2/1-003-075/120	5	-	106	750	2-61/64"	0,09	0,067	19,84
LVM2/2-003-075/120	-	10	106	750	2-61/64"	0,09	0,067	19,84
LVM2/3-003-075/120	5	-	106	750	2-61/64"	0,09	0,067	23,14
LVM2/1-005-080/120	6	-	177	800	3-1/8"	0,11	0,084	24,25
LVM2/2-005-080/120	-	12	177	800	3-1/8"	0,11	0,084	24,25
LVM2/3-005-080/120	6	-	177	800	3-1/8"	0,11	0,084	27,55



Manufacturer:
KÖNYVES és FIA KFT
 H-9061 Vámoszabadi, Hild J. u. 5.
 Tel.: +36/96 560 058
 Fax: +36/96 319 484

Info:
 GSM: +36/307473683
E-mail: konyves@orgonafuvo.hu
Web: www.orgonafuvo.hu

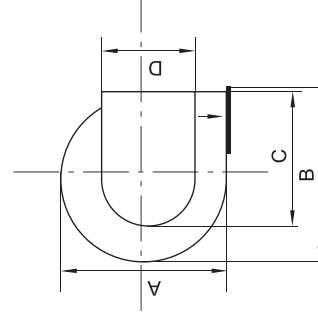
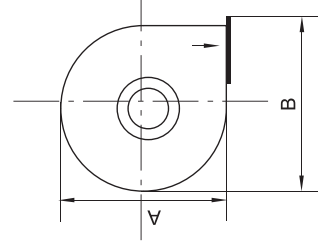
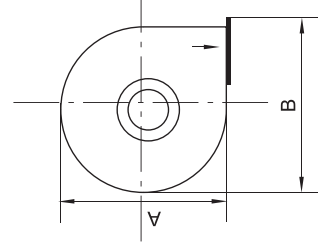
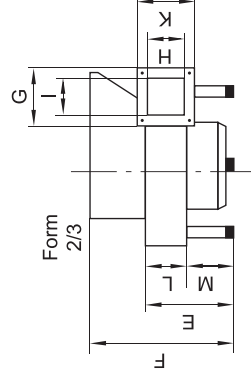
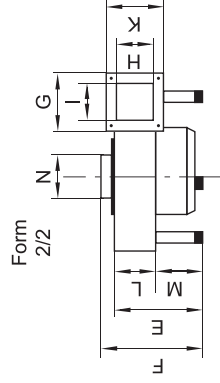
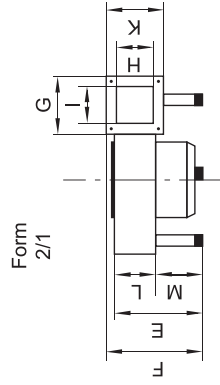
ORGAN BLOWERS OF TYPE LVM2 DIMENSIONS

3360 rotations/minute / 60 cycles

Wind pressure: 750-800 Pa

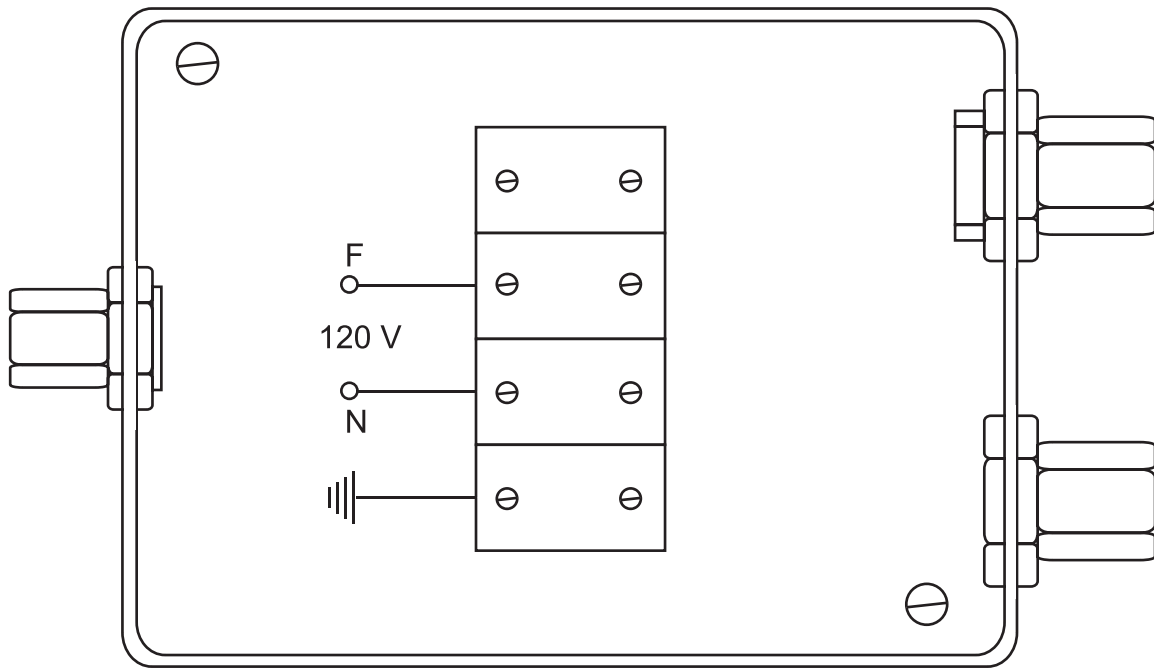
Unit: Inch (in)

TYPE	A	B	C	D	E	F	G	H	I	K	L	M	N
1-ph. A.C., 120 V													
LVM2/1-003-075/120	10-7/16"	11-1/32"	-	-	5"	5-19/32"	3-1/32"	1-29/64"	1-37/64"	3-1/32"	2-3/64"	2-53/64"	-
LVM2/2-003-075/120	10-7/16"	11-1/32"	-	-	5"	5-13/16"	3-1/32"	1-29/64"	1-37/64"	3-1/32"	2-3/64"	2-53/64"	3-1/32"
LVM2/3-003-075/120	10-7/16"	11-1/32"	9-7/16"	7-3/64"	5"	8-7/8"	3-1/32"	1-29/64"	1-37/64"	3-1/32"	2-3/64"	2-53/64"	-
LVM2/1-005-080/120	12-5/8"	13-3/16"	-	-	6-1/8"	6-6/8"	4-1/32"	2-3/64"	2-3/4"	4-1/32"	3-5/32"	2-53/64"	-
LVM2/2-005-080/120	12-5/8"	13-3/16"	-	-	6-1/8"	6-57/64"	4-1/32"	2-3/64"	2-3/4"	4-1/32"	3-5/32"	2-53/64"	3-1/32"
LVM2/3-005-080/120	12-5/8"	13-3/16"	11-1/32"	7-3/64"	6-1/8"	9-7/16"	4-1/32"	2-3/64"	2-3/4"	4-1/32"	3-5/32"	2-53/64"	-



Manufacturer:
KÖNYVES és FIA KFT
 H-9061 Vámoszabadi, Hild J. u. 5.
 Tel.: +36/96 560 058
 Fax: +36/96 319 484
Info:
 GSM: +36/30 7473 683
E-mail: konyves@orgonafuvo.hu
Web: www.orgonafuvo.hu

WIRING DIAGRAM OF ORGAN BLOWERS OF TYPE LVM2



Manufacturer: KÖNYVES és FIA KFT

HUNGARY, H-9061 Vámoszabadi, Hild J. u. 5. • Tel.: 00 36/96 560 058 • Fax: 00 36/96 319 484 • Mobil: 00 36/30 747 3683
e-mail: konyves@orgonafuvo.hu • web: www.orgonafuvo.hu